



Manual valve RM



Description

Manual valve single regulating.

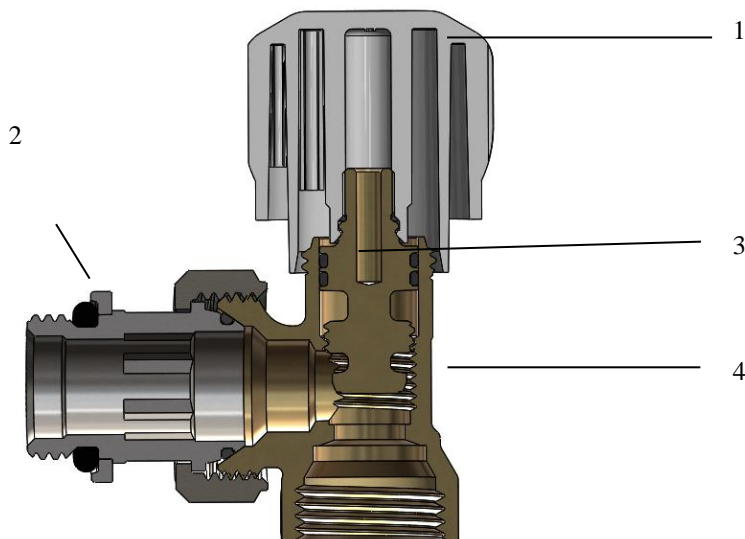
Versions

Form	Straight, Angle
Radiator connection	1/2"
Pipe connection	Female
O-ring	With

Benefits

- 2 o-ring version → Double pre sealing → fast installation
- Modern aesthetic
- 5 years guarantee

Conception



1. Handwheel
2. Nut: 2 O-rings or metal/metal
3. Maneuvering axis
4. Body

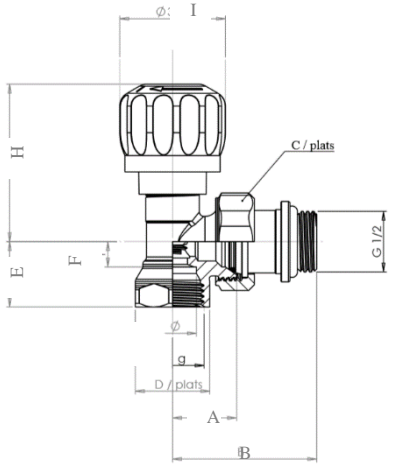
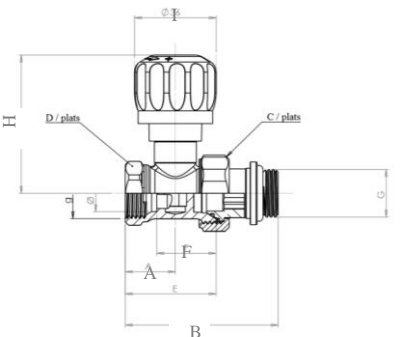
Materials

Body : Hot stamped brass with nickel plated finish
White handwheel ABS
Double sealing on the needle by 2 O-rings in EPDM
Plastic cap in ABS high temperature



Specifications

Heating water system
Nominal pressure: 10bar
Maximum water temperature: 110°C

Dimensions

	Model	Part	g/G	A	B	C	D	E	F	H	I
	R496B	496204B	1/2"	21.5	48,5	30	25	22	8,5	53	36
	R497B	497204B	1/2"	21,5	65,5	30	25	39	25,5	59,5	36

Product range

Photo	Shape	Connection	Dimensions	Kvs (m3/h)	Codes
	Angle	½"	½"	1.9	R496204B
	Straight	½"	½"	1.45	R497204B

Hydraulic curves
R496B and R497B 1/2"

