

Differential relief valves 872B



Description

A differential relief valve is an independent product found in installations with low or medium power boilers, whatever type of taps are fitted: manual or thermostatic.

When they are closed, taps cause the pressure to rise in the installation.

The differential relief valve, fitted on a by-pass between the supply and return pipe, prevents this rise in differential pressure in the installation.

The relief valve automatically provides constant flow rate in the circuit. The pump is protected and noises due to over-pressurisation are avoided.

Versions

Model	<ul style="list-style-type: none"> ➤ 3/4" x 3/4" with flat seal ➤ DN 22 x DN 22 compression
-------	---

Advantages

- Automatic
- Adjustment using easy-to-read rotating ring
- Transparent cover to lock the setting while keeping it readable
- Energy savings
- Extends the life of boilers.

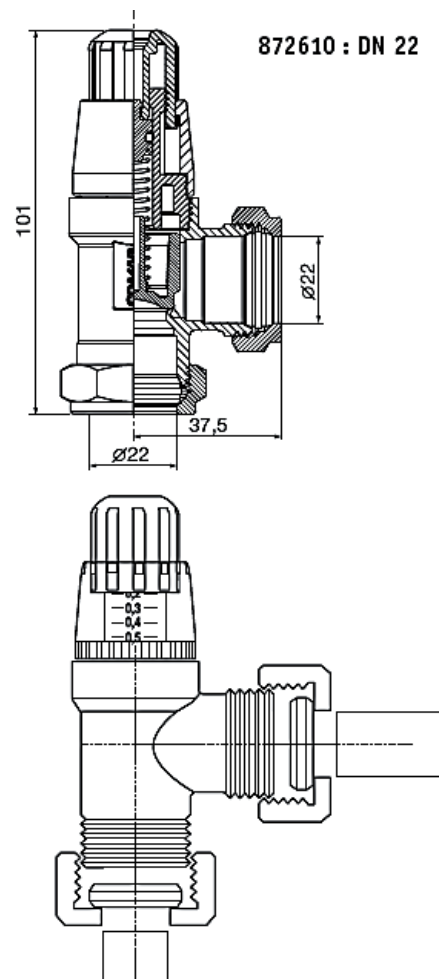
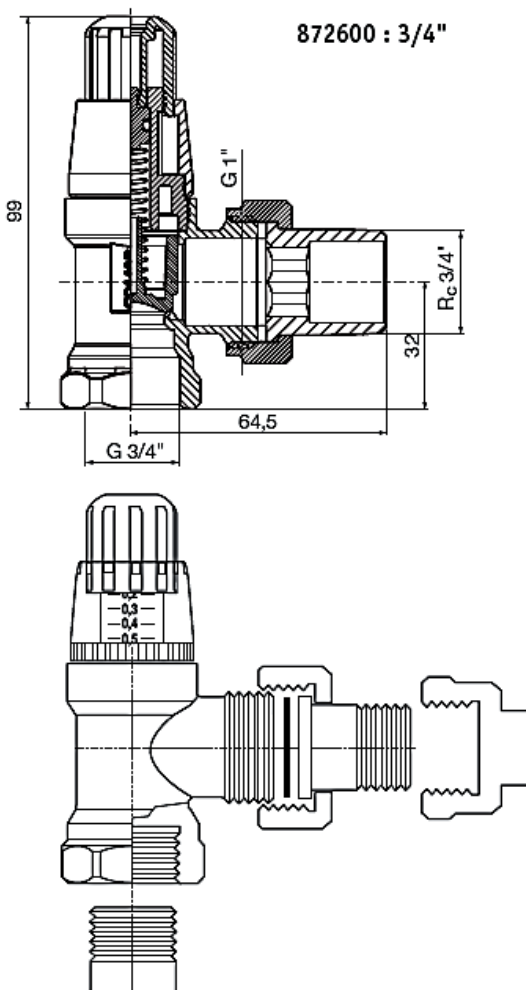
Materials

Body:	Nickel-plated hot-stamped brass
Valve:	Phenylene polyoxide
Spring:	Stainless steel
Hand knob:	White ABS



Specifications

Flow rate:	50 to 2000 L/h
Max. differential pressure:	0,6 bar
Max temperature:	120°C
Min temperature:	-10°C
Range of adjustment:	0.1 to 0.5 bar

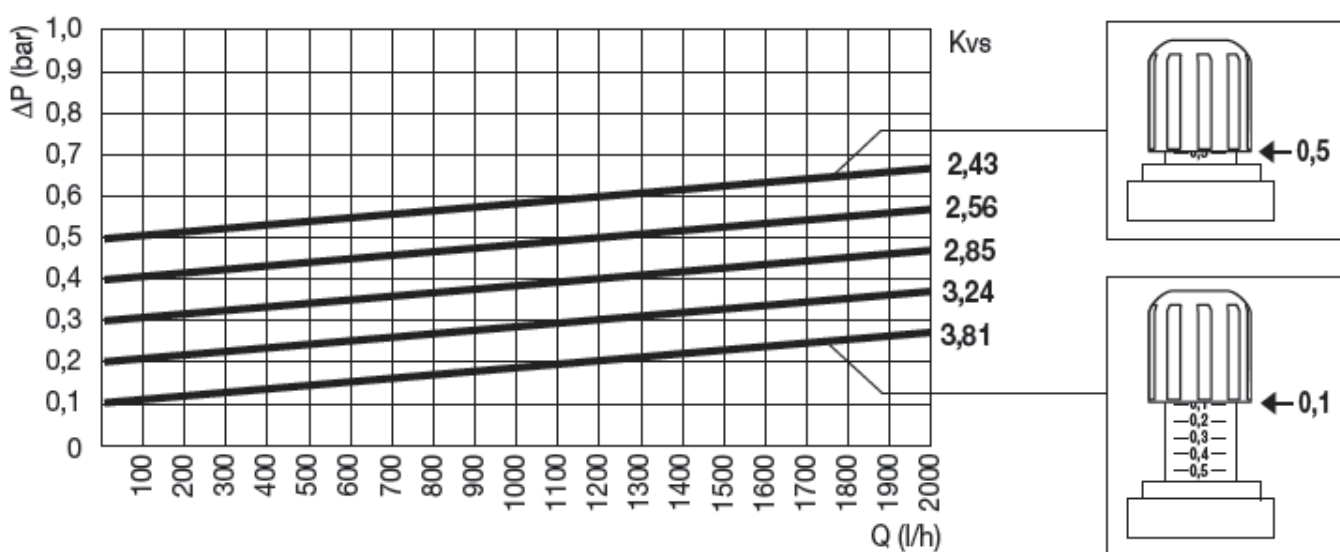
Dimensions



Catalogue range

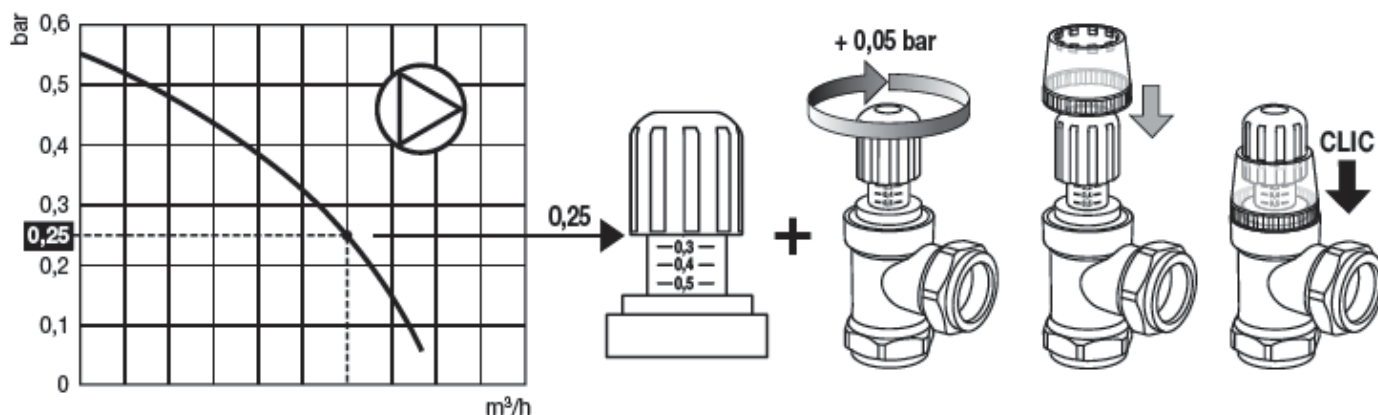
	Model	Dimension	Code
	872 B	3/4" x 3/4"	872600
	872 B	DN 22 x DN 22	872610

Adjustment and flow rates



Example of use

Let's take the case of an installation in which the pump has the characteristics shown below, with negligible pressure drops from the boiler and a delta P for the nominal flow rate at 0.25 bar.



We are aiming to maintain a flow rate of 1000 l/u; the available pressure at the pump is 0.25 bar (example in table below). Thermostatic taps are closed gradually.

- The relief valve must be set to 0.3 bar under these conditions: 0.25 bar + 1/4 turn (or 0.05 bar)
- Push down the translucent ring → the setting is locked and the setting can still be read.

Important: do not forget to unclip the cover to change the setting.