

**Non-return valve**  
**1270/1280/2840/2841**



**Description**

The non-return device is a device used to control the direction of water flow. It allows the fluid to flow from A to B but prevents flow in the other direction

The downstream pressure can increase due to expansion of the fluid in a circuit and cause backflow of water. This is when the non-return valve functions.

**Versions**

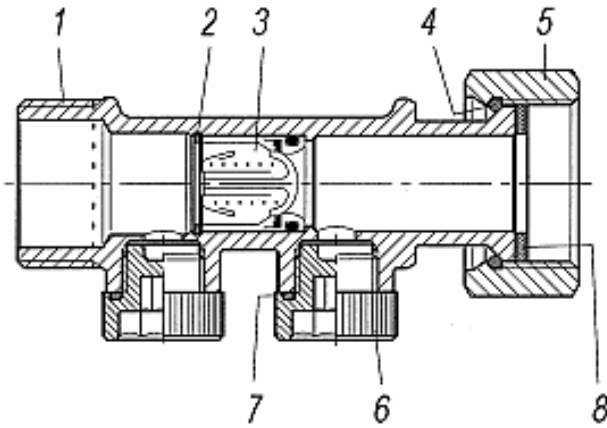
Connection	Female Male/Female: 1280
Fitting	Vertical, horizontal, angled

**Advantages**

- Prevents contamination of the mains supply
- Drainage of the mains upstream and downstream

**Design**

**1280**



- 1. Body
- 2. Stop ring
- 3. Valve
- 4. Stop ring
- 5. Brass connector
- 6. Plug
- 7. O-Ring
- 8. Flat seal

**Materials**

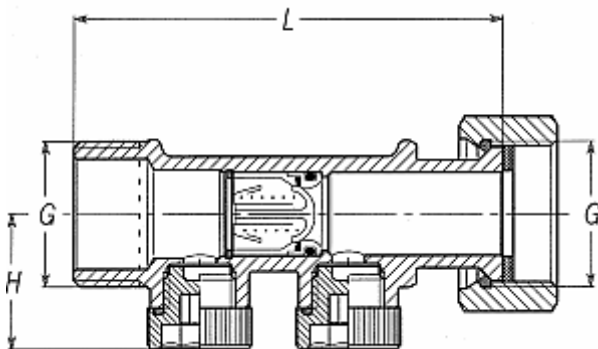
Body: Brass  
 Plug: Nylon  
 Stop ring: Steel  
 Seal: Nitrile

**Specifications**

Max operating pressure: 16 bar (25 bar for 1280)  
 Opening pressure: 0.01 bar  
 Max temperature: 100°C

**Dimensions**

**1280**




Weight	H	L	G
215 g	25 mm	78 mm	3/4" M x 3/4


**Catalogue range**

	Model	Type	PN	Dimension	Code
	Brass threaded non-return valve All positions 1270	FF	PN16	3/8"	127003
			PN16	1/2"	127004
			PN16	3/4"	127006
			PN16	1"	127008
			PN10	1 1/4"	127010
			PN10	1 1/2"	127012
			PN10	2"	127016
			PN8	2 1/2"	127020
			PN8	3"	127024
			PN8	4"	127032
	Brass threaded male-female non-return valve with two drain points 1280	MF	PN25	3/4"	128006
	Brass threaded, metal contact swing check valve 2840	FF	PN16	3/8"	284003
				1/2"	284004
				3/4"	284006
				1"	284008
				1 1/4"	284010
				1 1/2"	284012
				2"	284016
				2 1/2"	284020
				3"	284024
			PN 10	4"	284032

*Non-return valves*

	Brass threaded, rubber contact swing check valve 2841	FF	PN16	1"	284108
				1 1/2"	284112
				1 1/4"	284110
				1/2"	284104
				2"	284116
				3/4"	284106
				3/8"	284103

**Accessories**

	Model	Dimension	Code
	Steel filter with brass connector (1276) For non-return valve 1270	2 1/2"	127620
		3"	127624
		4"	127632