

**Automatic air vent**

**Description**

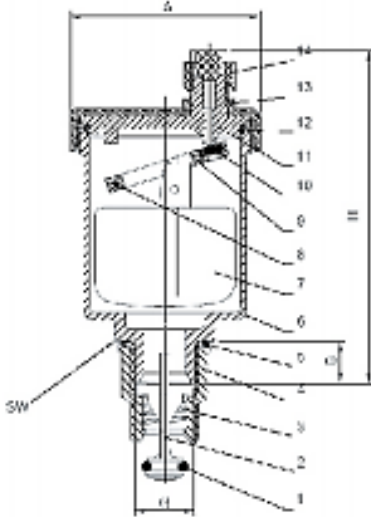
Automatic air vent with non-return valve and brass finish.



**Versions**

<b>Dimension</b>	3/8" ; 1/2"
<b>Installation</b>	Vertical

**Conception and materials**




1. O-ring : EPDM
2. Bore: Brass
3. Spring: S302
4. Check valve body : Brass
5. O-ring : EPDM
6. Body : Brass
7. Float : PP
8. Spring link : S302
9. Plastic disc: POM
10. Rubber seal: Caoutchouc EPDM
11. Plastic bonnet : POM
12. O-ring: EPDM
13. Big cap : Brass
14. End cap : Brass

**Specifications**

Maximal work temperature : 110°C  
 Maximal work pressure : 10 bar  
 The connect thread is conform to the standard ISO228

**Product line**

Model	Dimension	Code
	3/8"	308103
	1/2"	308104

**Installation**

