

Two pipe distributor 920-921

Description

Thermostatic four way valves, for two pipe application. Flow and return in only one radiator connection point, together with an external valve. Ideal for towel radiators or decorative vertical radiators.

Versions

Alimentation	Horizontal, Vertical
Tube connection	Male M22, 3/4E, 1/2

Benefits

- Isolation function that allows the radiator to be taken off.
- Thermostatic mechanism (Kv 0,95)
- Thermostatic insert can be removed without removing the valve nor draining off the installation (with COMAP réf. 5831)

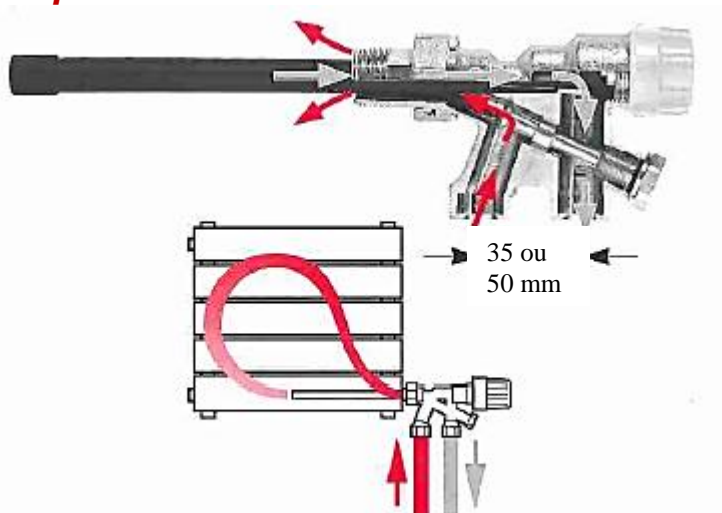


Conception



1. Cap black
2. Isolated, non-ejectable needle
3. 4-way thermostatic body

Principle



For the 4 way thermostatic valves, it is advisable to use the ref 4439 to improve the irrigation of the radiator. The use of 4 way thermostatic valves can affect the performance of the radiator.

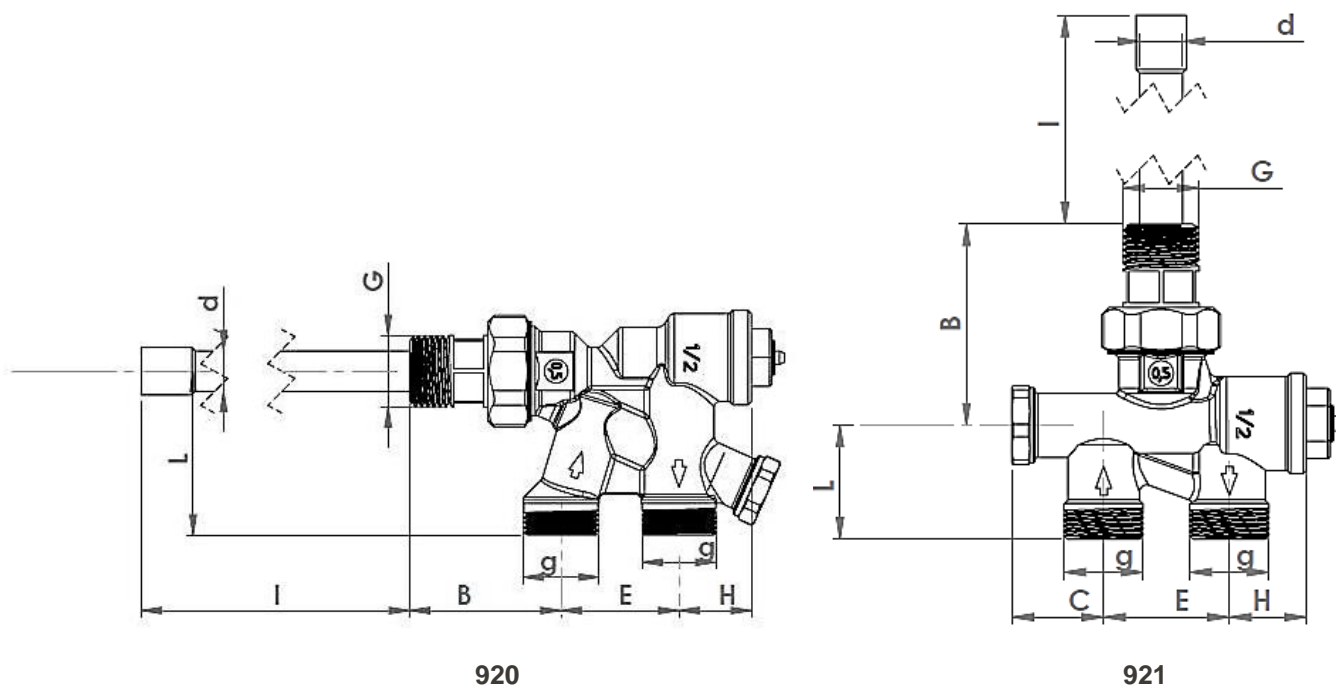
Materials

Body : Brass
Seals : Ethylene propylene
Mechanism : RTH
Axe : Inox
Cap: ABS
Valve : EPDM

Specifications



Maximum pressure of use: 10 bar
Maximum differential pressure: 0.6 bar
Maximum water temperature: 110°C

Dimensions

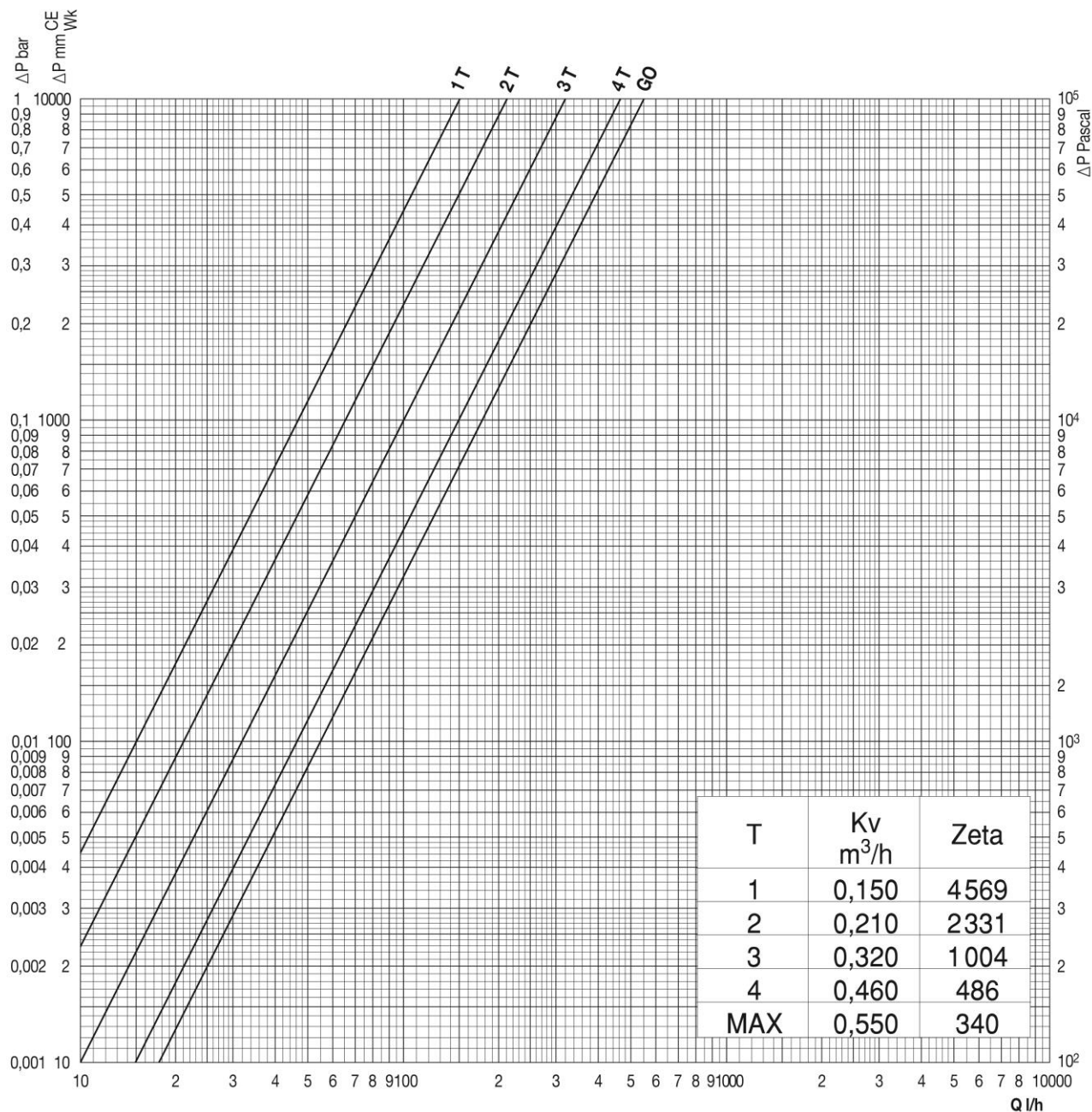


Model	Part	G	g	d	I	E	H	B	L	C
920E	920022	1/2"	M22	12	118	35	21.5	46	48	25
920E	920105	1/2"	1/2"				22	56	32	
921E	921422	1/2"	M22	12	118	50	22	56	39	25
D921	921406	1/2"	3/4"E				22	56	39	

Product line

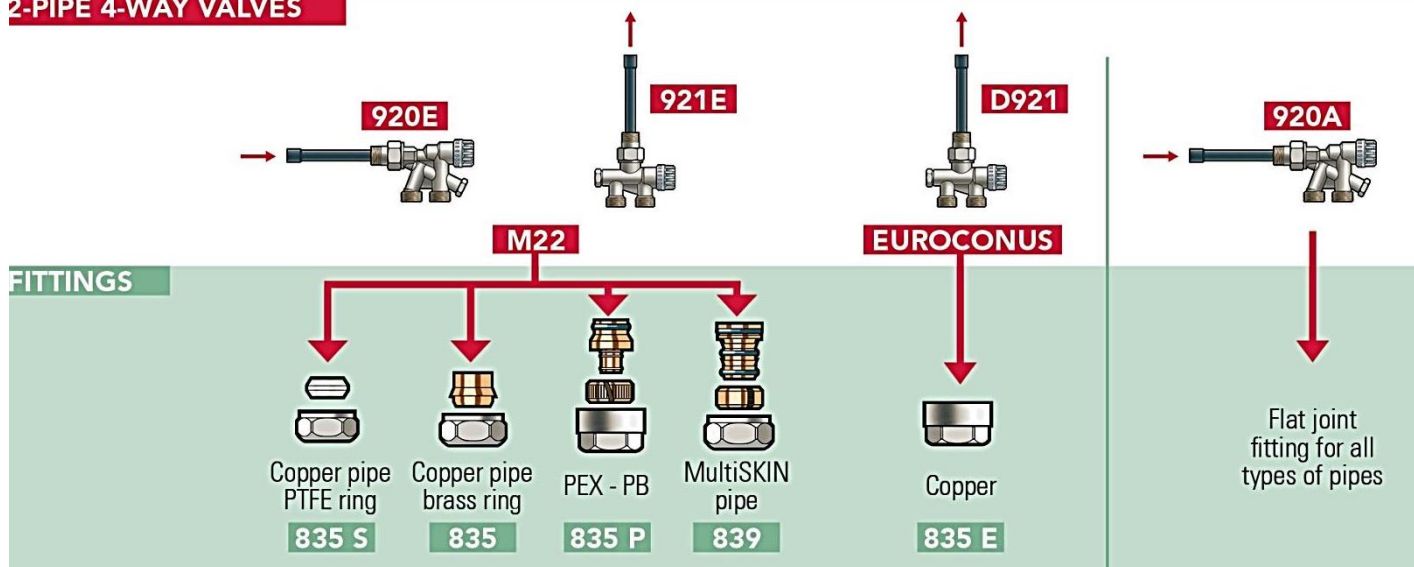
Photo	Alimentation	Tube connection	Thermostatic head	Radiator connection	Kv open (m3/h to BP 2k)	Codes
	Horizontal	Male M22	M28	1/2	0.55	920022
		1/2"			0.55	920105
	Vertical	Male M22	M28	1/2	0.55	921422
		Male 3/4"E	M30		0.55	921406

Hydraulic curve









4-way valve connection

2-PIPE 4-WAY VALVES



Accessories

Photo	Designation	Dimensions	Codes
	Setting key 334		550334
	Demobloc, maintenance tool for Comap thermostatic valves 5831	M28 & M30	P120001001
If the actual product as a needle of 2mm diameter			
	Mechanism Kv fixe 0.95 R5815	M28	816590
If the actual product as a needle of 2mm diameter			
	Mechanism Kv fixe 0.95 R5816	M28	R816590
	Mechanism Kv fixe 0.95 R5816	M30	R816532
	Extended lance for lance valves	L=300 diam 12	443900
	Injection lance	L=118 diam 12	VSB20C00
	Thermostatic head Senso	M28 M30	R100000 R100100
	Kit colors Mysenso	Stainless Chrome Black Zebre Tangerine Purple Citrus Red ming Pearl Mauve Skyblue Chocolate Anthracite	R100080 R100081 R100082 R100083 R100084 R100085 R100086 R100087 R100088 R100089 R100090 R100091 R100092

	Manual handwhell 506	M28-M30	M140001001
	Insert for injection lance L482G	1/2	VPD00B33
	Olive compression fitting M22 835	10	835410
		14	835414
		15	835415
		16	835416
		18	835418
	Mechanical fitting for PEX pipe 3/4"E 835P	16x1.5	835561
		20x2	835601
	Mechanical fitting for MultiSKIN pipe, threaded, nickel plated 839	M22 -14x2	839514
		M22 -14x2	839516
		M22 -14x2	839418
		M22 -14x2	839420
		1/2"-16x2	1C2071001
	Compression fittings M22 835S	12	835712
		15	835715
	Compression fittings for copper 3/4E nickel plated 835E	12	835912
		14	835914
		15	835915
		16	8359161
	Reinforcing insert for annealed copper 9216	8	9216008
		10	9216010
		12	9216012
		14	9216014
		16	9216016