

**SENSO thermostatic head**



**Description**

The Senso thermostatic head combines elegance and design.

For nearly 20 years, the successive generations of Senso have been among the most appreciated models for their reliability, accuracy and reactivity.

Its liquid filled sensor and redesigned air inlets make the model one of the best technical thermostatic solutions.

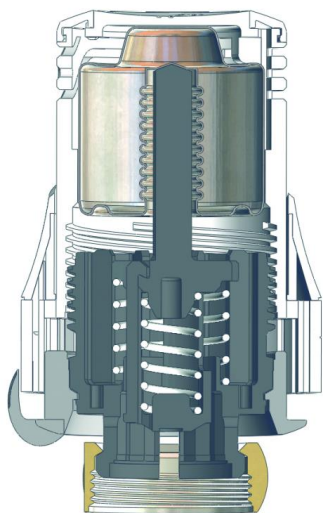
**Versions**

Valve connection	M28x1.5 M30x1.5 Clip type (Danfoss insert)
Sensor	Internal sensor External: 2m, 5m, 8m

**Benefits**

- Security limiting and blocking ring avoids that any small loose parts can get lost
- Smart packaging protects from dust and shock before reception
- Wide range of colours kits (13) and pure white finishing.
- Stylized air inlets
- Elegant nut
- Reliability: the M28 range is compatible with all previous generations of Comap valves, thanks to a wide selection of sizes, shapes and connections.
- Energy savings: Senso head rank among the highest performers in energy saving
- No tool is required neither for mounting, and limiting the temperature of the head.

## Conception



1. Handwheel, RAL 9016 pure white
2. Liquid sensor
3. Springs
4. Index
5. Fixing nut (M28 / M30 or clip)

## Applications

For standard hot water heating applications

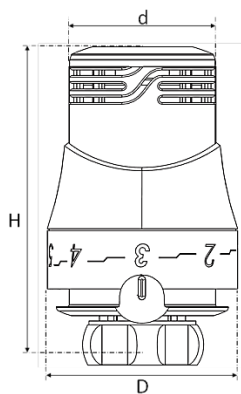
Min temperature: -10°C  
Max temperature: +50°C

## Performance (EN 215 certified values)

Product	Reference	Hysteresis	Water temperature influence	Response time	Differential pressure influence	Vt	EnergyEfficiency Index TELL*	TELL rating
Senso M28	R100000	0,3	0,55	18'	0,2	0,4	0,33	A
Senso M30	R100100	0,3	0,36	18'	0,2	0,3	0,31	A


\*The TELL EEI is the value based on the EN215 certified values, used to evaluate the TELL rating of the thermostatic head. Please refer to <http://www.tell-online.eu/> for more information.

## Dimensions



Ref	d	D	H position *	H position3	H position5
<b>Senso M28</b>	40	52	78	81	83
<b>Senso M30</b>	40	52	81	84	86
<b>Senso IFD</b>	40	52	100	103	105

## Product line

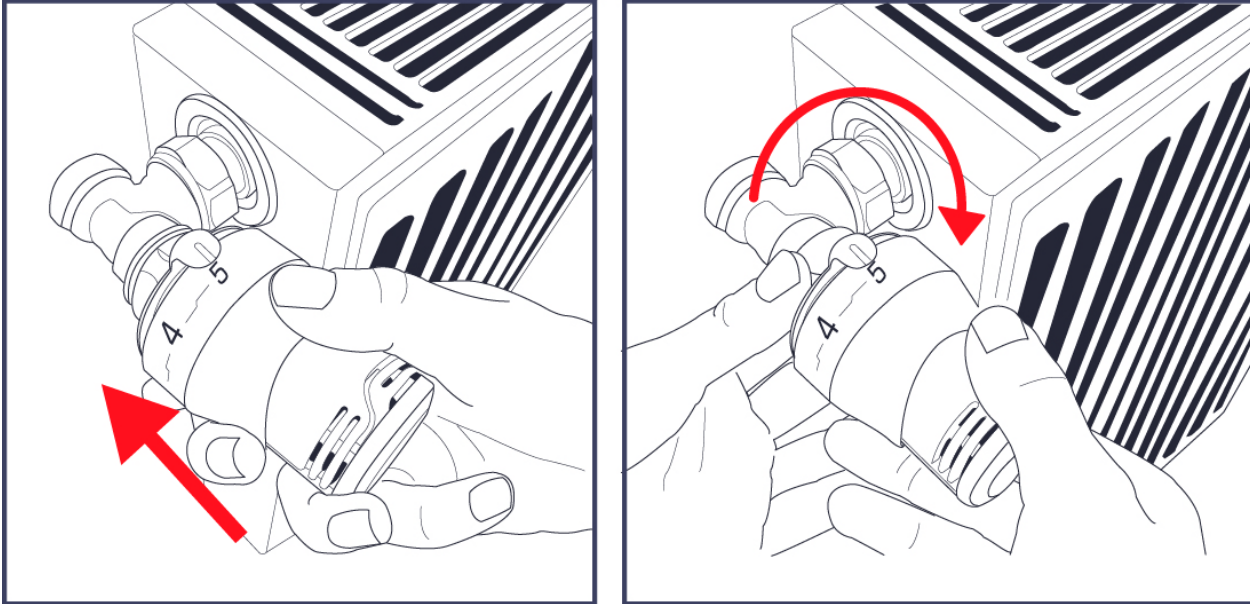
Photo	Ref	Code	Sensor	Capillary length	Connection	Compatible with
	Senso	R100000	Internal liquid	-	M28x1.5	All M28 TRV from Comap

	Senso RI	R100100	Internal liquid	-	M30x1.5	All M30 TRV from Comap Heimeier type radiator inserts
	Senso – S	R100002	Remote Sensor liquid	2m	M28x1.5	All M28 TRV from Comap
		R100005		5m		
		R100008		8m		
	Senso –RIS	R100102	Remote Sensor liquid	2m	M30x1.5	All M30 TRV from Comap Heimeier type radiator inserts
		R100105		5m		
		R100108		8m		
	Senso – IFD	R100530	Internal liquid 4Kg	-	Clip	Clip connection TRV

### ***Installation method***

1 Place the index at position 5, in the vertical top position.

2 Screw the nut. Maximum torque is 2 Nm. No tool is required

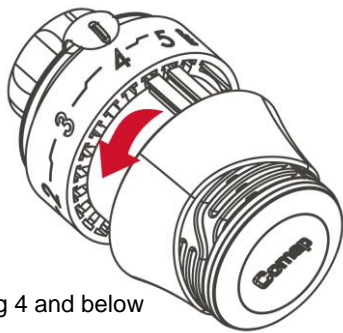


### Setting positions

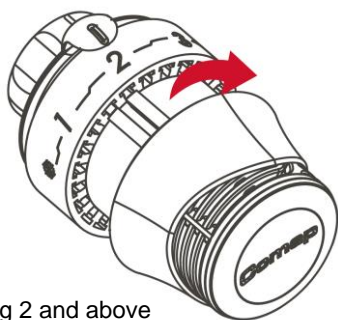
Position	*	1	2	3	4	5
Temperature	7°C	11°C	16°C	20°C	24°C	28°C

### Temperature limitation

The limitation is done thanks to the embedded easy-limitation ring of the Senso.



Setting 4 and below



Setting 2 and above



Fixed setting 3

**1 Maximum temperature setting:**

- Pull the front face limitation ring.
- Place the index in the requested position.
- Place the limitation guides immediately after the maximum setting (here 4).
- Then push the limitation ring back into place.

**2 Minimum temperature setting:**

- Pull the front face limitation ring.
- Place the limitation guides immediately before the minimum setting (here 2).
- Then push the limitation ring back into place

**3 Fixed temperature setting:**

- Pull the front face limitation ring.
- Place the index in the requested position.
- Place the limitation guides on both sides of the desired fixed setting (here 3).
- Then push the limitation ring back into place.

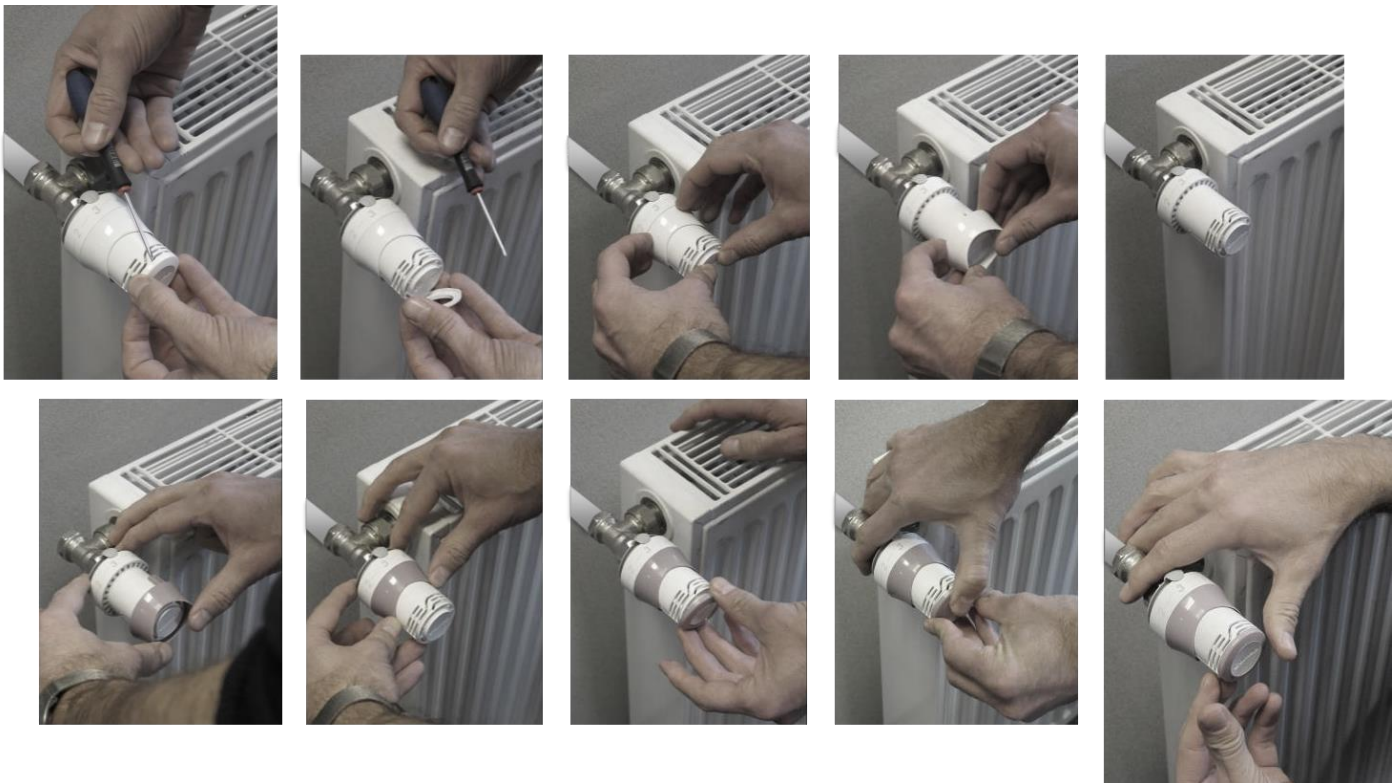
**Color customization**

The Senso can be easily customized by changing 2 elements with colour kits.




Color	Code
Stainless	R100080
Chrome	R100081
Black	R100082
Zebra	R100083
Tangerine	R100084
Purple	R100085
Citrus	R100086
Red Ming	R100087
Pearl	R100088
Mauve	R100089
Skyblue	R100090
Chocolate	R100091
Anthracite	R100092
Pink	R100093
Carbone	R100094







**Accessories**

Photo	Designation	Code
	Theft-proof ring M28	R582500
	Theft-proof ring M30	R582530
	Theft-proof ring Clip	582550
	Reinforced tamper-proof ring	R582730