

9000TP/K9000TP synthetic manifold
Underfloor heating and cooling



9000TP basic version with flow meters



K9000TP with ball valves and flow meters

Function

- Regulation of a low temperature supply for underfloor heating / cooling system.

Description

- Modular manifold made out of polyamide (30% glass fiber reinforced).
- The modules are connected to each other via a patented connection system that provides the installer maximum flexibility and time savings.
- The 9000TP and K9000TP are delivered including flow meters.

Advantages

- Excellent temperature insulation properties, supports both heating and cooling.
- Fully modular, groups can be added on the construction site if needed.
- Mountable in any position (very easy when the pipes arrive for example from the ceiling).
- Fast installation, the manifold is supplied completely pre-assembled.
- Wide range of accessories, each part can be ordered individually.

Models and packaging

K9000TP

Code	Designation	Packaging
C321010001	K9000TP 2 CIRCUITS 3/4 EUROCOONE	1
C321011001	K9000TP 3 CIRCUITS 3/4 EUROCOONE	1
C321012001	K9000TP 4 CIRCUITS 3/4 EUROCOONE	1
C321013001	K9000TP 5 CIRCUITS 3/4 EUROCOONE	1
C321014001	K9000TP 6 CIRCUITS 3/4 EUROCOONE	1
C321015001	K9000TP 7 CIRCUITS 3/4 EUROCOONE	1
C321016001	K9000TP 8 CIRCUITS 3/4 EUROCOONE	1
C321017001	K9000TP 9 CIRCUITS 3/4 EUROCOONE	1
C321018001	K9000P 10 CIRCUITS 3/4 EUROCOONE	1

9000TP

Code	Designation	Packaging
9000562N	9000TP 2 CIRCUITS 3/4 EUROCOONE	1
9000563N	9000TP 3 CIRCUITS 3/4 EUROCOONE	1
9000564N	9000TP 4 CIRCUITS 3/4 EUROCOONE	1
9000565N	9000TP 5 CIRCUITS 3/4 EUROCOONE	1
9000566N	9000TP 6 CIRCUITS 3/4 EUROCOONE	1
9000567N	9000TP 7 CIRCUITS 3/4 EUROCOONE	1
9000568N	9000TP 8 CIRCUITS 3/4 EUROCOONE	1
9000569N	9000TP 9 CIRCUITS 3/4 EUROCOONE	1
9000570N	9000TP 10 CIRCUITS 3/4 EUROCOONE	1

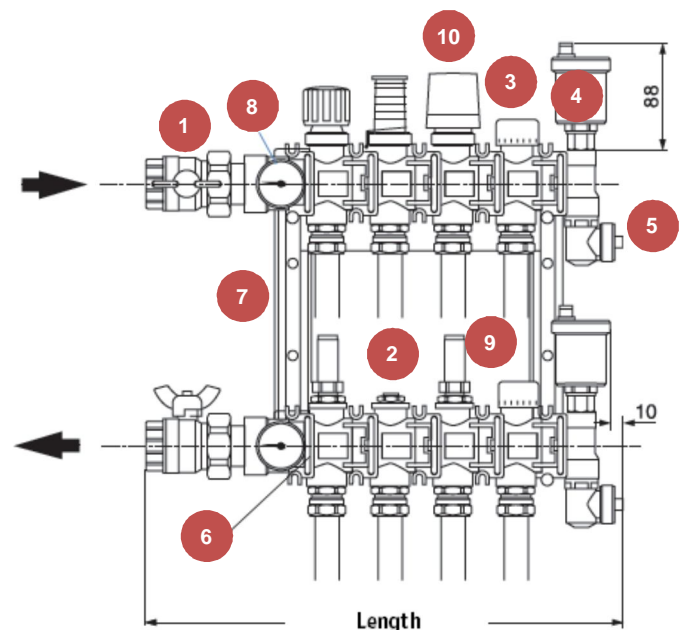
Dimensions

* including ball valves Comap 6806P

Code	Circuits number	Length (mm)*	Depth (mm)	High (mm)	Cabinet Width
C321010001	2	280	115.5	520	450
C321011001	3	331	115.5	520	450
C321012001	4	382	115.5	520	450
C321013001	5	433	115.5	520	500
C321014001	6	484	115.5	520	500
C321015001	7	535	115.5	520	700
C321016001	8	586	115.5	520	700
C321017001	9	637	115.5	520	850
C321018001	10	688	115.5	520	850

Composition

- 6806P ball valve 1" (only K9000TP)
- Lockshield 3/4 Eurocone
- D3809 Inlet valve, thermostatic M30 3/4 Eurocone
- 3081 Automatic air vent
- Drain
- 9000HK Removable connection clip
- 9832 Inox bracket with pre-drilled holes
- 9839 Thermometer
- 9071PTM Flow meter 1-4L
- M050 electrothermal actuator (optional)





Terms of use

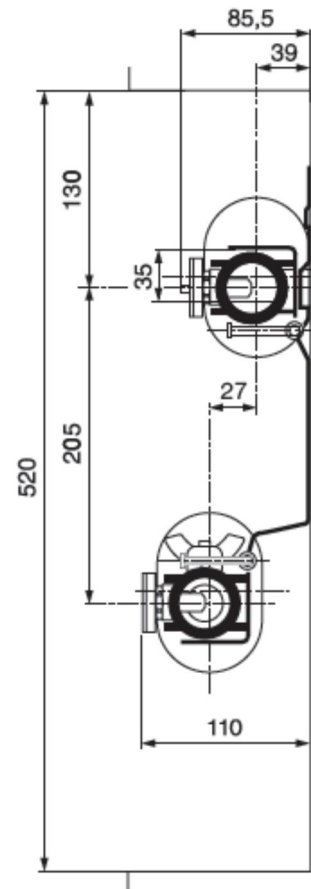
- Fully pre-assembled / modular
- Nominal working temperature: 50°C
- Maximum temperature: 65°C
- Maximum working pressure: 6 bar at 65°C
- Testing pressure: 10 bar at 20°C
- Norm: EN 1264 and DIN 4725 for underfloor heating

Connection

- Eurocône available in all international underfloor heating pipe dimensions: 14 x 2, 16x2, 17x2, 20x 2 and 16x1.5, 20x1.9.

Technical properties

- Upper bar circuit pipe connections inlet: Thermostatic M30 ¾ Eurocône
- Lower bar circuit pipe connections return: Lock shield ¾ Eurocône, with memory setting
- Fixation bracket: Inox steel
- Automatic air vents
- 2 thermometers (on inlet and return)
- Not included with 9000TP model: Inlet / outlet valves (Comap ball valve 6806P 5/43-1" connection)



Cabinets

- The cabinet V9016 and V9018 9860 are specially designed for use with the synthetic manifold and are therefore recommended. The manifold is connected via the pre-drilled holes in the brackets.



Available accessories

- KE9000PExtension kit for 9000P
- KE9000TP Extension kit for 9000TP
- 9052P Complete Inlet / end module
- D3809 Preset thermostatic valve M30
- 9071PTM Flow meter 1-4L
- 6806P Ball valve 5/4" x 1"
- VMP(L) Connectors
- 9839 Thermometer
- VMP05 Elbow connector
- 9000JT O-ring
- 9000HK Module clip for patented connection system
- 9832 Inox mounting bracket
- 3081 Automatic air vent
- 9869 Graphic labels for marking circuit
- 5210 1" mud deposit collector



Individual room temperature regulation

- Using the Comap M050 electro thermal valves that can be easily clicked onto the manifold.
- Comap has a complete range regulation product available. Please check our catalogue, website or contact the Comap Biofloor team for more information.



Warranty

- En utilisant exclusivement les raccords, tubes et accessoires de notre offre, COMAP apporte une garantie de 10 ans sur le système à l'exception de la pompe (1 an).
- Garantie applicable selon les conditions en vigueur.